



STENHØJ AUSTRALIA

PRODUCT INFO 28th of December 2017



NEW STENHØJ JACKING BEAM

MICRO 20/4488

FOR MOLNAR 4488 4-POSTS



Capacity

2000 kg

- Air-Hydraulic
- Mechanical parking system
- Non-return valve
- Air pressure 5,5-8,5 bar



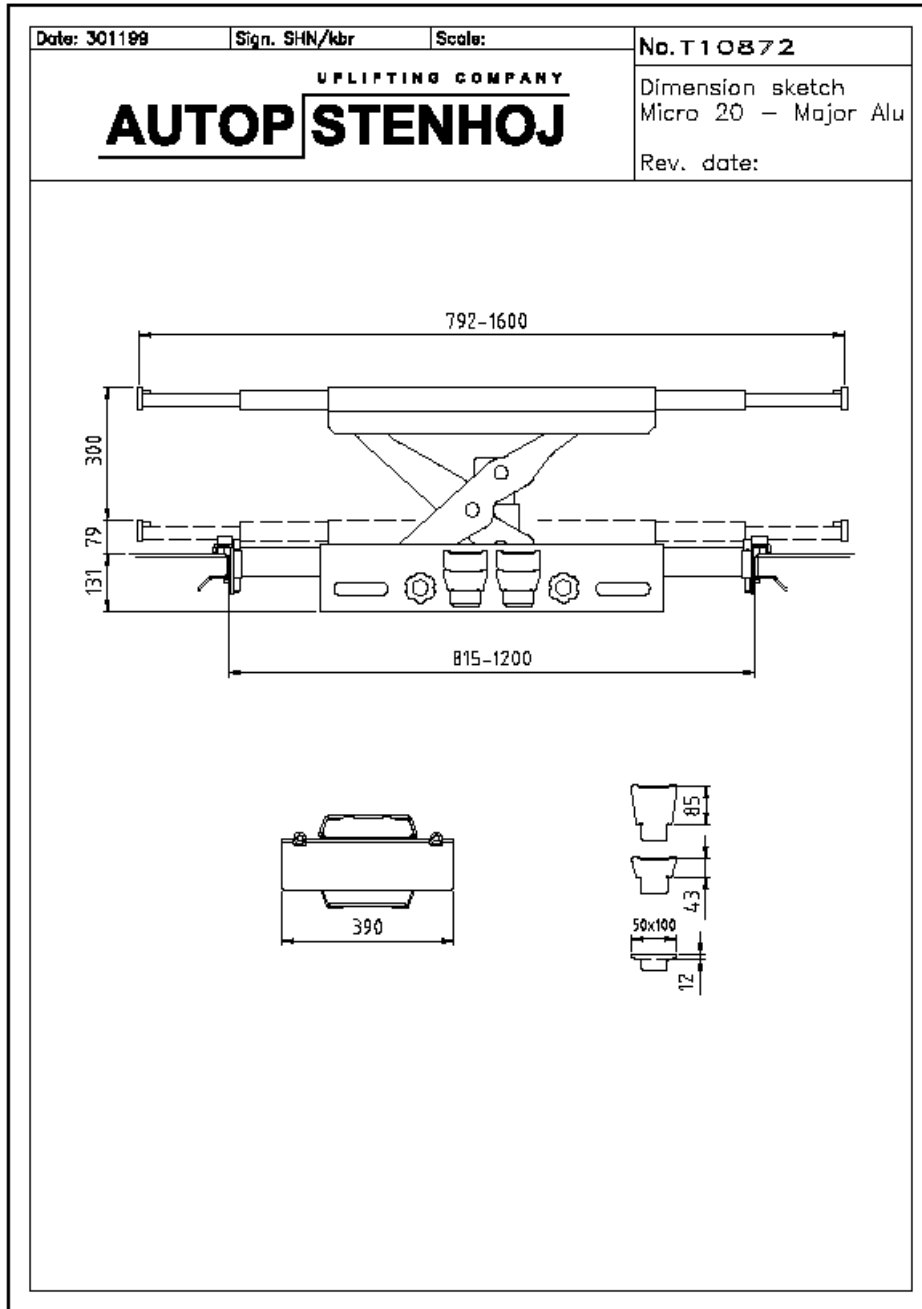
STENHØJ AUSTRALIA



2- Hand operation (grip from both handle at the same time)



- Double arm extension
- Galvanized arms
- 4 different pads included



(dimensions only as a reference)



| | | | |
|-----|------|------------|---|
| 3 | 2 | | Molnar platform |
| 2 | 2 | 793190 | Sidepiece cpl. Micro 20-4488 for Molnar |
| 1 | 1 | 793101 | Micro 20 Airhydraulic |
| Nr. | Stk. | Varenummer | Beskrivelse |

| Rev. No. | Revision History | Rev. date | Rev. sign. |
|----------|------------------|-----------|------------|
| | | | |
| | | | |
| | | | |
| | | | |
| | | | |

| | | | |
|---|--|--------------|--|
| Not specified tolerances are according to fol. grp. D/EN ISO 8015 (ISO 2788-0-L.) | | Projection | Date: 18-01-2017 |
| Material: | | | Sign: PEH |
| Material Quality: | | | |
| Internal Material No.: | | | |
| Weight: N/A | | Description: | Micro 20-4488, luft/hyd, Ral 9006 for Molnar |
| | | No. | 002987 |
| | | Scale | 0,10 : 1 |
| | | Format | A3 |
| | | Sheet | 1 of 1 |

STENHØJ A/S

Suitable for Molnar 4488 "standard" and "Wide" versions

**AVAILABLE FROM ADELAIDE WAREHOUSE
(Made in Denmark)**

Call 1300 665 627
info@molnarhoists.com.au

MOLNAR
3 Graham Street
Export Park, 5950 SA